



8111168

COPT'AIR grey metal



Hand dryer COPT'AIR metallic gray with low power consumption and anti-vandalism aluminum cover. Ultra fast drying with its rotating nozzle. Designed for intensive use.

PRODUCT ADVANTAGES

- 100% new drying sensations with a cyclonic effect
- 65% more economical than competitors' models
- 100% Anti-vandalism: aluminium or stainless steel cover

**10 YEARS
REPAIRABLE**



**MADE IN
FRANCE**



JVD Spain
jvd.es

-

JVD France
jvd.fr

-

JVD Singapore
jvd.sg

-

JVD Mexico
jvd.mx

8111168



COPT'AIR grey metal

SPECIFICATIONS

| | |
|---|--------------------------------|
| Material | Aluminum |
| Colour | Grey |
| Drying time [s] | 10-15s |
| Sound level [dB] (1m in front of the appliance) | 80 |
| Outlet air speed (m/s) | 90 |
| Air flow rate (m³/h) | 130 |
| Air outlet temperature (°C) | 40 |
| Safety in case of malfunction | Yes |
| Filter | Anti-bacterial filter (Option) |
| Vandal-safe | Yes |
| Drying zone lighting | Yes |

ELECTRICAL

| | |
|---------------------------------------|------------|
| Rated Power [W] | 600 |
| Voltage | 220-240V |
| Frequency [Hz] | 50 |
| Standby power consumption [W] | 2.2000 |
| Detection type | Infrared |
| Motor speed [rpm] | 24000 |
| Type of motor | Brushed AC |
| Motor lifetime (number of operations) | 350000 |

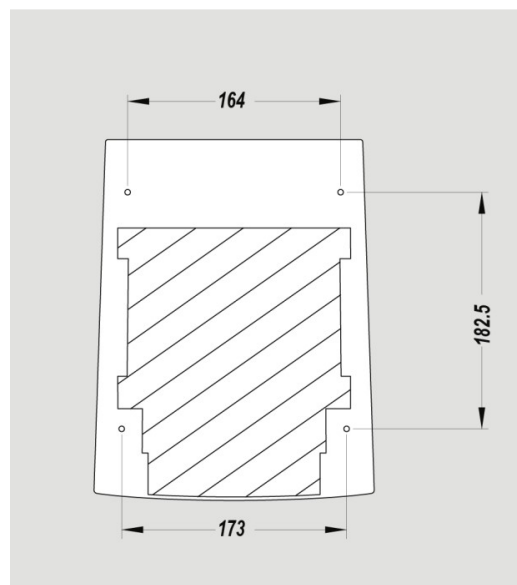
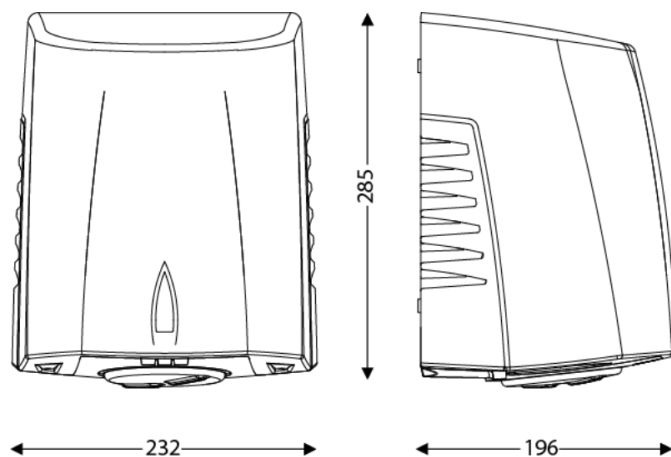
DIMENSIONS

| | |
|-------------|--------|
| Height [mm] | 285 |
| Width [mm] | 232 |
| Depth [mm] | 196 |
| Weight [kg] | 4.3600 |

BOX DIMENSIONS

| | |
|-------------|--------|
| Height [mm] | 205 |
| Width [mm] | 240 |
| Depth [mm] | 295 |
| Weight [kg] | 4.5100 |

TECHNICAL DRAWING



RECOMMENDED INSTALLATION HEIGHTS

- Men installation height (cm) : 130
- Women installation height (cm) : 125
- Children installation height (cm) : 120
- Disabled person installation height (cm) : 100

