



8111624

COPT'AIR S Hot Air black



Hand dryer COPT'AIR heating Black with forced air with cyclonic effect. Anti-vandalism with its aluminum hood. 3 years warranty

PRODUCT ADVANTAGES

- 100% new drying sensations with a cyclonic effect
- 65% more economical than competitors' models
- 100% Anti-vandalism: aluminium or stainless steel cover

**10 YEARS
REPAIRABLE**



**MADE IN
FRANCE**



JVD Spain
jvd.es

-

JVD France
jvd.fr

-

JVD Singapore
jvd.sg

-

JVD Mexico
jvd.mx

8111624



COPT'AIR S Hot Air black

SPECIFICATIONS

Material	Aluminum
Colour	Black
Heating element	Yes
Drying time [s]	10-15s
Sound level [dB] (1m in front of the appliance)	80
Outlet air speed (m/s)	90
Air flow rate [m³/h]	140
Air outlet temperature [°C]	50
Safety in case of malfunction	Yes
Filter	No
Vandal-safe	Yes
Drying zone lighting	Yes

ELECTRICAL

Rated Power [W]	1500
Voltage	220-240V
Frequency [Hz]	50
Standby power consumption [W]	2.2000
Detection type	Infrared
Motor speed [rpm]	24000
Type of motor	Brushed AC
Motor lifetime (number of operations)	350000

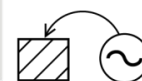
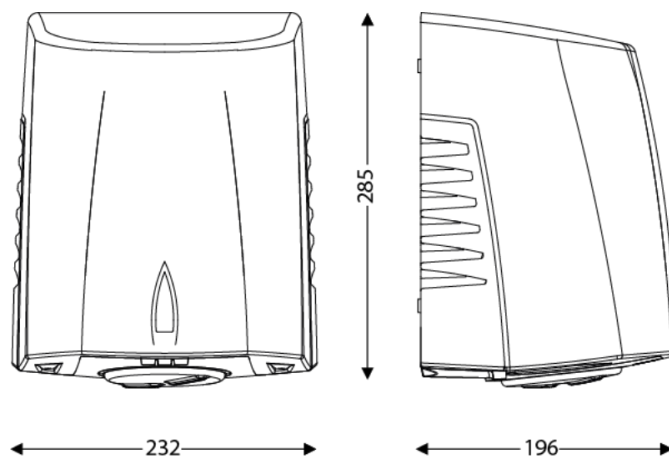
DIMENSIONS

Height [mm]	285
Width [mm]	232
Depth [mm]	196
Weight [kg]	6.9400

BOX DIMENSIONS

Height [mm]	205
Width [mm]	240
Depth [mm]	295
Weight [kg]	4.5100

TECHNICAL DRAWING



RECOMMENDED INSTALLATION HEIGHTS

- Men installation height (cm) : 130
- Women installation height (cm) : 125
- Children installation height (cm) : 120
- Disabled person installation height (cm) : 100

