



8111757

***EXP'AIR automatic Aluminium***



**PRODUCT ADVANTAGES**

- 35% more economical than competitors' models
- 50% quieter than competitors' models
- 100% accessible by people with reduced mobility and small children

Exp'air automatic Aluminium hand dryer with forced air. Anti-vandalism with aluminum hood and adapted to people with reduced mobility. Equipped with a water recovery tank or a direct evacuation solution. 3 years warranty.

**10 YEARS  
REPAIRABLE**



**Made in France**



JVD Spain  
jvd.es

-

JVD France  
jvd.fr

-

JVD Singapore  
jvd.sg

-

JVD Mexico  
jvd.mx

8111757



## ***EXP'AIR automatic*** ***Aluminium***

### SPECIFICATIONS

Material	Aluminum
Colour	Chrome
Water tray	Yes
Water tray capacity (mL)	0.6000
Drain connection	Yes
Drying time (s)	10-15s
Sound level (dB) (1m in front of the appliance)	75
Outlet air speed (m/s)	600
Air flow rate (m <sup>3</sup> /h)	140
Air outlet temperature (°C)	40
Safety in case of malfunction	Yes
Filter	Copper filter
Vandal-safe	Yes
Antibacterial treatment	Yes
Drying zone lighting	Yes

### ELECTRICAL

Rated Power (W)	800
Voltage	220-240V
Frequency (Hz)	50
Standby power consumption (W)	30.0000
Detection type	Capacitive
Motor speed (rpm)	26500
Type of motor	Brushed AC
Motor lifetime (number of operations)	350000

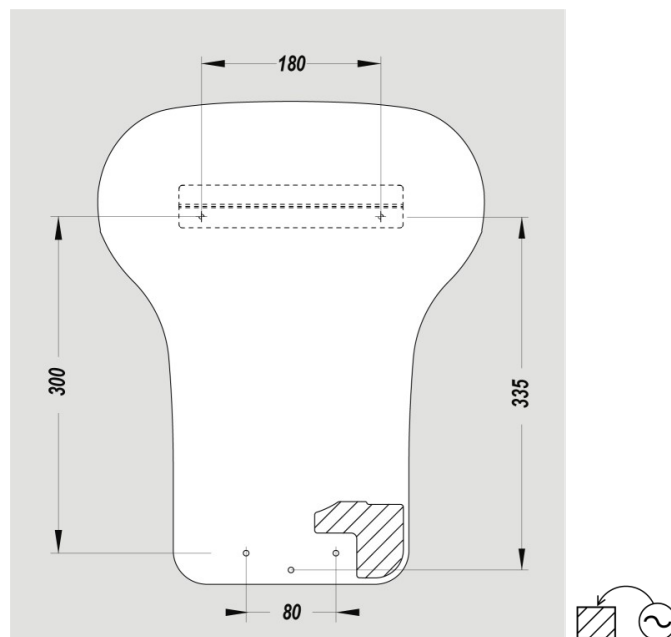
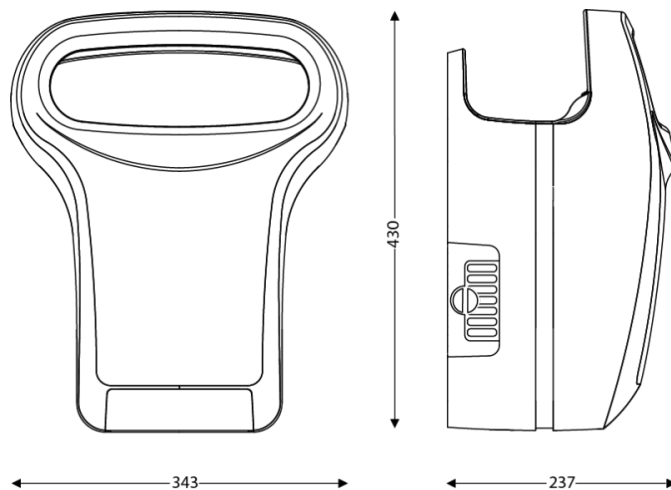
### DIMENSIONS

Height (mm)	430
Width (mm)	340
Depth (mm)	234
Weight (kg)	6.9400

### BOX DIMENSIONS

Height (mm)	240
Width (mm)	360
Depth (mm)	490
Weight (kg)	8.0100

### TECHNICAL DRAWING



### RECOMMENDED INSTALLATION HEIGHTS

- Men installation height (cm) : 75
- Women installation height (cm) : 65
- Children installation height (cm) : 55
- Disabled person installation height (cm) : 65

