



8111761

***STELL'AIR automatic Matt
black***



PRODUCT ADVANTAGES

- 35% more economical than competitors' models
- 73 dB makes it the quietest on the market
- 100% Ergonomic with its wide opening and illumination

STELL'AIR automatic Matt black hand dryer with forced air and bactericidal copper filter. Silent (73 dB) and anti-vandalism (IK10). Equipped with a water recovery tank or a direct evacuation solution (optional). 3 years warranty.

**10 YEARS
REPAIRABLE**



**MADE IN
FRANCE**



JVD Spain
jvd.es

-

JVD France
jvd.fr

-

JVD Singapore
jvd.sg

-

JVD Mexico
jvd.mx

8111761



STELL'AIR automatic

Matt black

SPECIFICATIONS

Material	ABS
Colour	Black
Water tray	Yes
Water tray capacity (mL)	1.0000
Drain connection	Optional
Drying time (s)	10-15s
Sound level (dB) (1m in front of the appliance)	73
Outlet air speed (m/s)	400
Air flow rate (m ³ /h)	140
Air outlet temperature (°C)	40
Safety in case of malfunction	Yes
Filter	Copper filter
Vandal-safe	Yes
Antibacterial treatment	Yes
Drying zone lighting	Yes

ELECTRICAL

Rated Power (W)	800
Voltage	220-240V
Frequency (Hz)	50
Standby power consumption (W)	2.2000
Detection type	Capacitive
ON/OFF switch	Yes
Motor speed (rpm)	26500
Type of motor	Brushed AC
Motor lifetime (number of operations)	350000

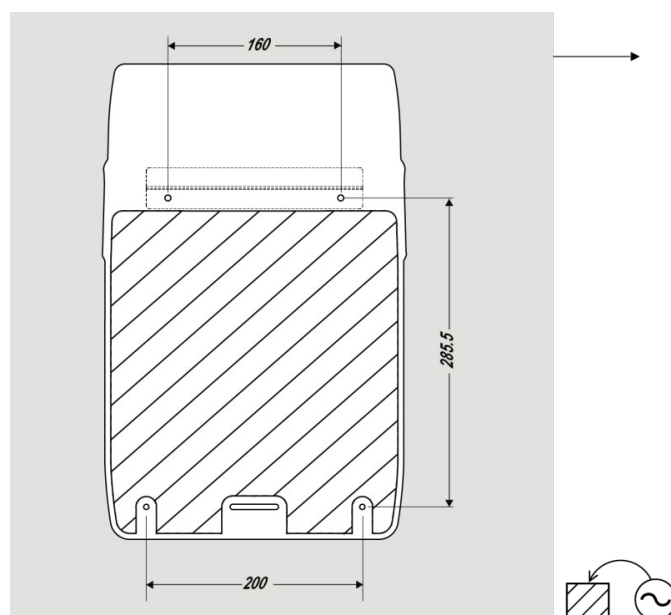
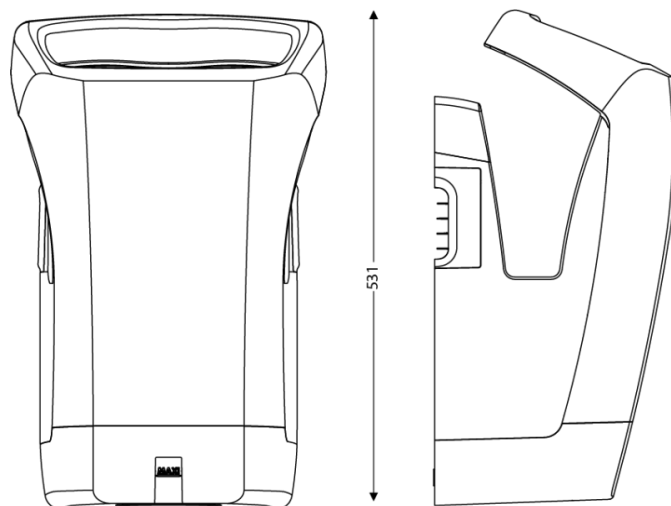
DIMENSIONS

Height (mm)	531
Width (mm)	340
Depth (mm)	260
Weight (kg)	6.2400

BOX DIMENSIONS

Height (mm)	280
Width (mm)	395
Depth (mm)	595
Weight (kg)	7.2000

TECHNICAL DRAWING



RECOMMENDED INSTALLATION HEIGHTS

- Men installation height (cm) : 40
- Women installation height (cm) : 35

