



811962

STELL'AIR automatic white



STELL'AIR automatic white hand dryer with forced air and bactericidal copper filter. Silent (73 dB) and anti-vandalism (IK10). Equipped with a water recovery tank or a direct evacuation solution (optional). 3 years warranty.

PRODUCT ADVANTAGES

- 35% more economical than competitors' models
- 73 dB makes it the quietest on the market
- 100% Ergonomic with its wide opening and illumination

**10 YEARS
REPAIRABLE**



**MADE IN
FRANCE**



JVD Spain
jvd.es

-

JVD France
jvd.fr

-

JVD Singapore
jvd.sg

-

JVD Mexico
jvd.mx

811962



STELL'AIR automatic **white**

SPECIFICATIONS

| | |
|---|---------------|
| Material | ABS |
| Colour | White |
| Water tray | Yes |
| Water tray capacity (mL) | 1.0000 |
| Drain connection | Optional |
| Drying time (s) | 10-15s |
| Sound level (dB) (1m in front of the appliance) | 73 |
| Outlet air speed (m/s) | 400 |
| Air flow rate (m ³ /h) | 140 |
| Air outlet temperature (°C) | 40 |
| Safety in case of malfunction | Yes |
| Filter | Copper filter |
| Vandal-safe | Yes |
| Antibacterial treatment | Yes |
| Drying zone lighting | Yes |

ELECTRICAL

| | |
|---------------------------------------|------------|
| Rated Power (W) | 800 |
| Voltage | 220-240V |
| Frequency (Hz) | 50 |
| Standby power consumption (W) | 2.2000 |
| Detection type | Capacitive |
| ON/OFF switch | Yes |
| Motor speed (rpm) | 26500 |
| Type of motor | Brushed AC |
| Motor lifetime (number of operations) | 350000 |

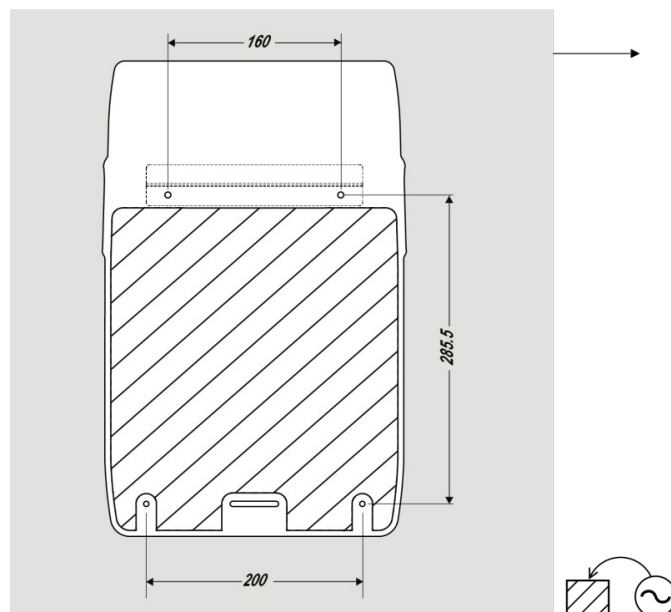
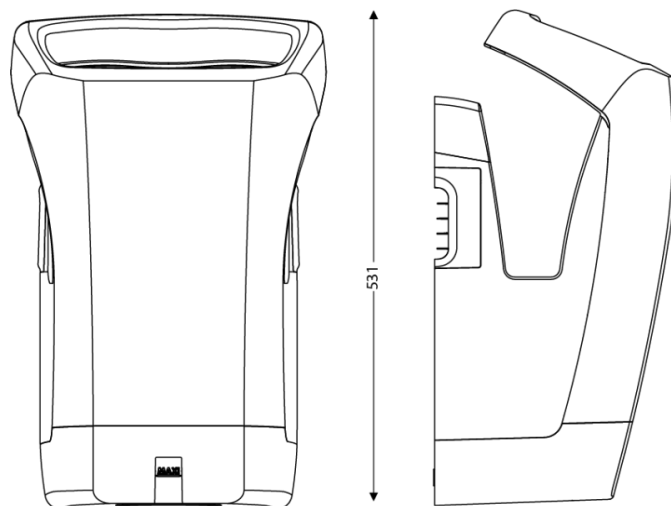
DIMENSIONS

| | |
|-------------|--------|
| Height (mm) | 531 |
| Width (mm) | 340 |
| Depth (mm) | 262 |
| Weight (kg) | 6.2400 |

BOX DIMENSIONS

| | |
|-------------|--------|
| Height (mm) | 280 |
| Width (mm) | 395 |
| Depth (mm) | 595 |
| Weight (kg) | 7.2000 |

TECHNICAL DRAWING



RECOMMENDED INSTALLATION HEIGHTS

- Men installation height (cm) : 40
- Women installation height (cm) : 35
- Children installation height (cm) : 30
- Disabled person installation height (cm) : 35

